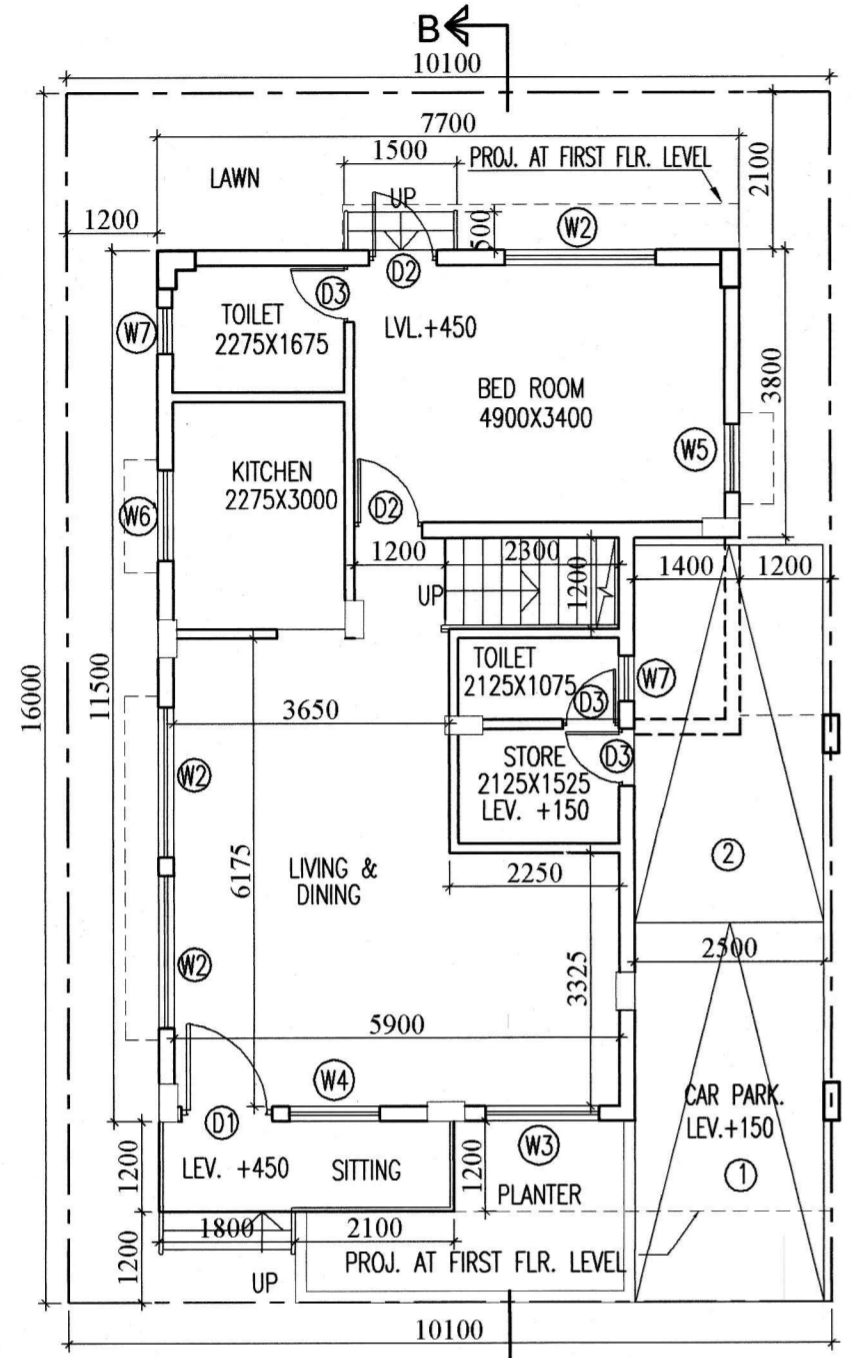
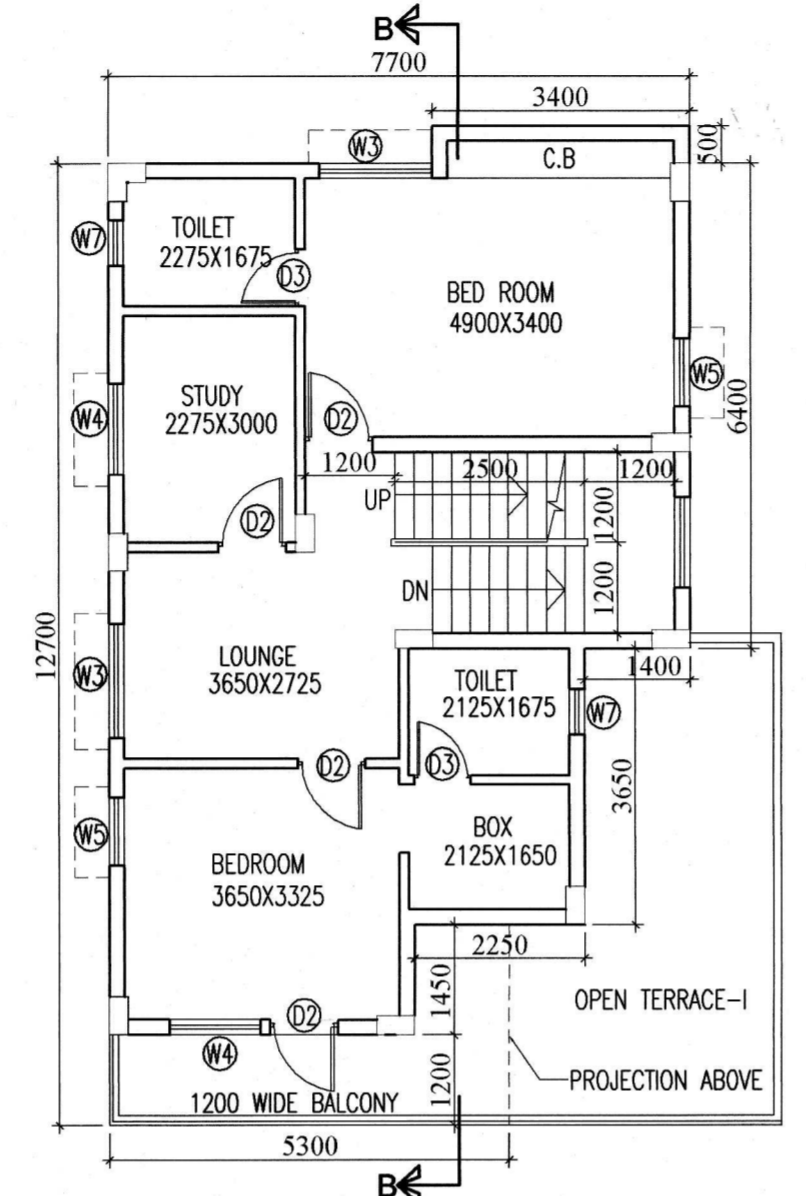


SCHEDULE OF DOORS & WINDOWS

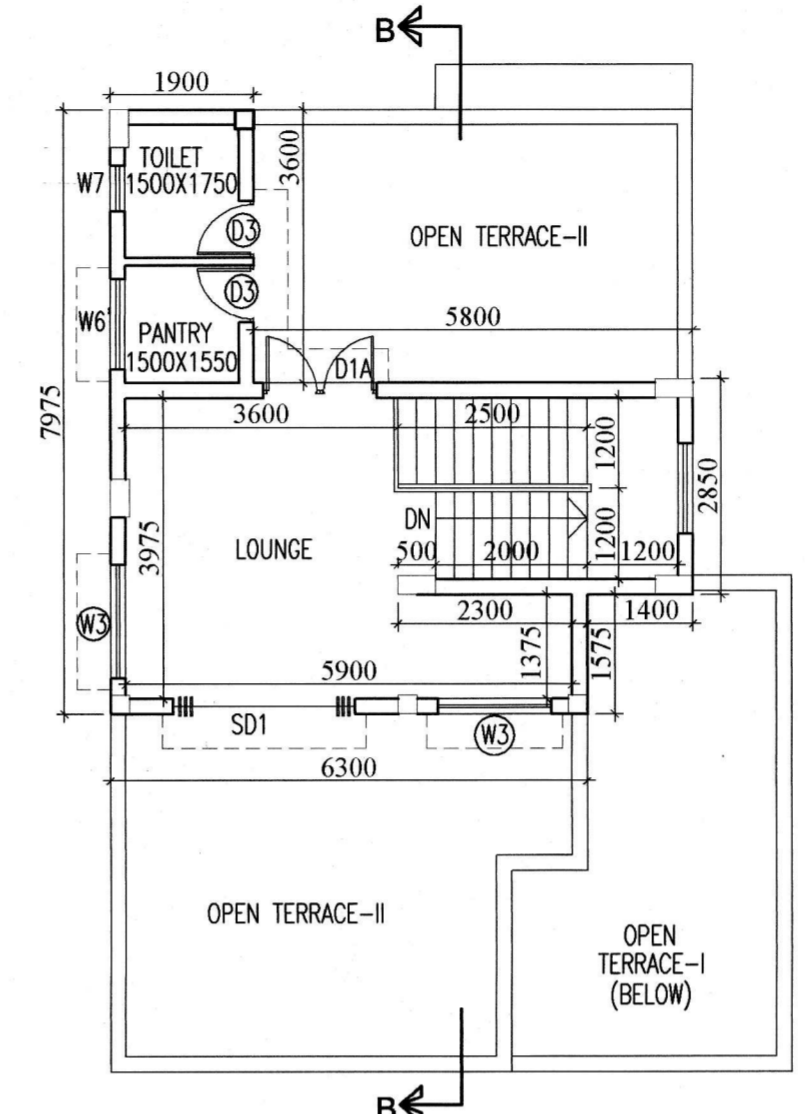
NO.	SILL	LINTEL	SIZE
D1	-	2250	1200X2250
D1A	-	2250	1500X2250
D2	-	2250	900X2250
D3	-	2250	750X2250
SD1	-	2250	2400X2250
W1	350	2250	2500X1900
W2	350	2250	2000X1900
W3	350	2250	1500X1900
W4	350	2250	1200X1900
W5	350	2250	1050X1900
W6	1100	2250	1050X1150
W6'	1100	2250	1200X1150
W7	1250	2250	600X1000
SW	350	2250	1200X1900



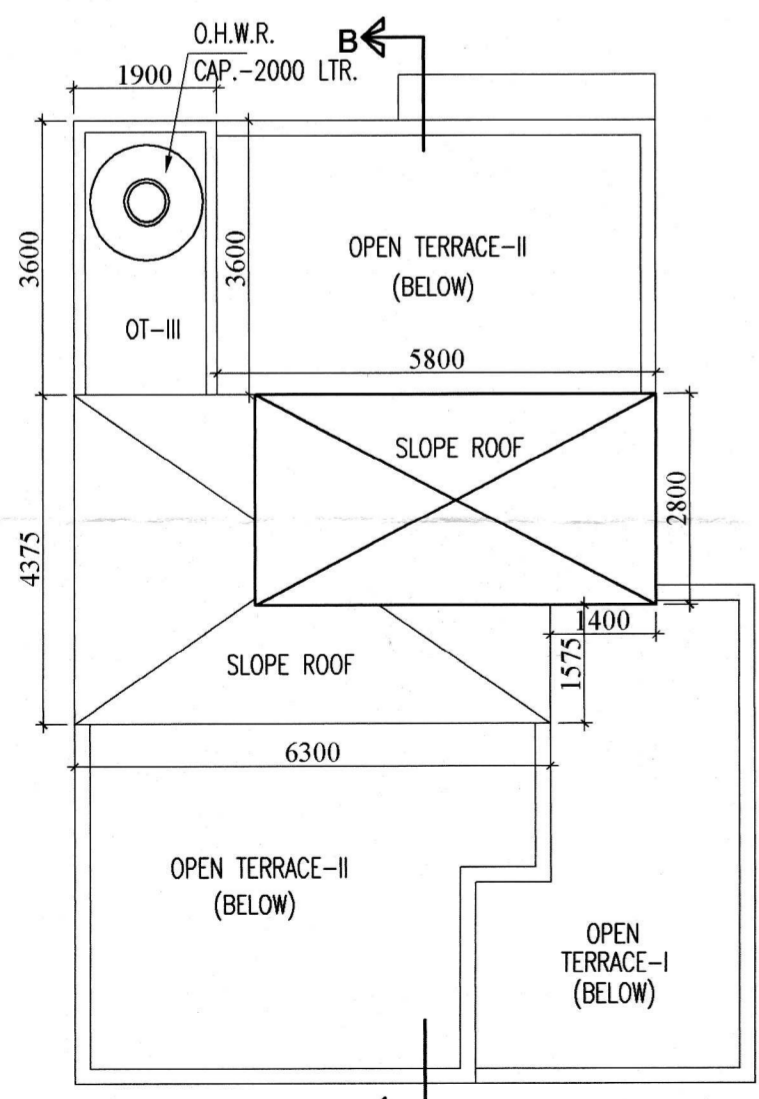
GROUND FLOOR PLAN



FIRST FLOOR PLAN



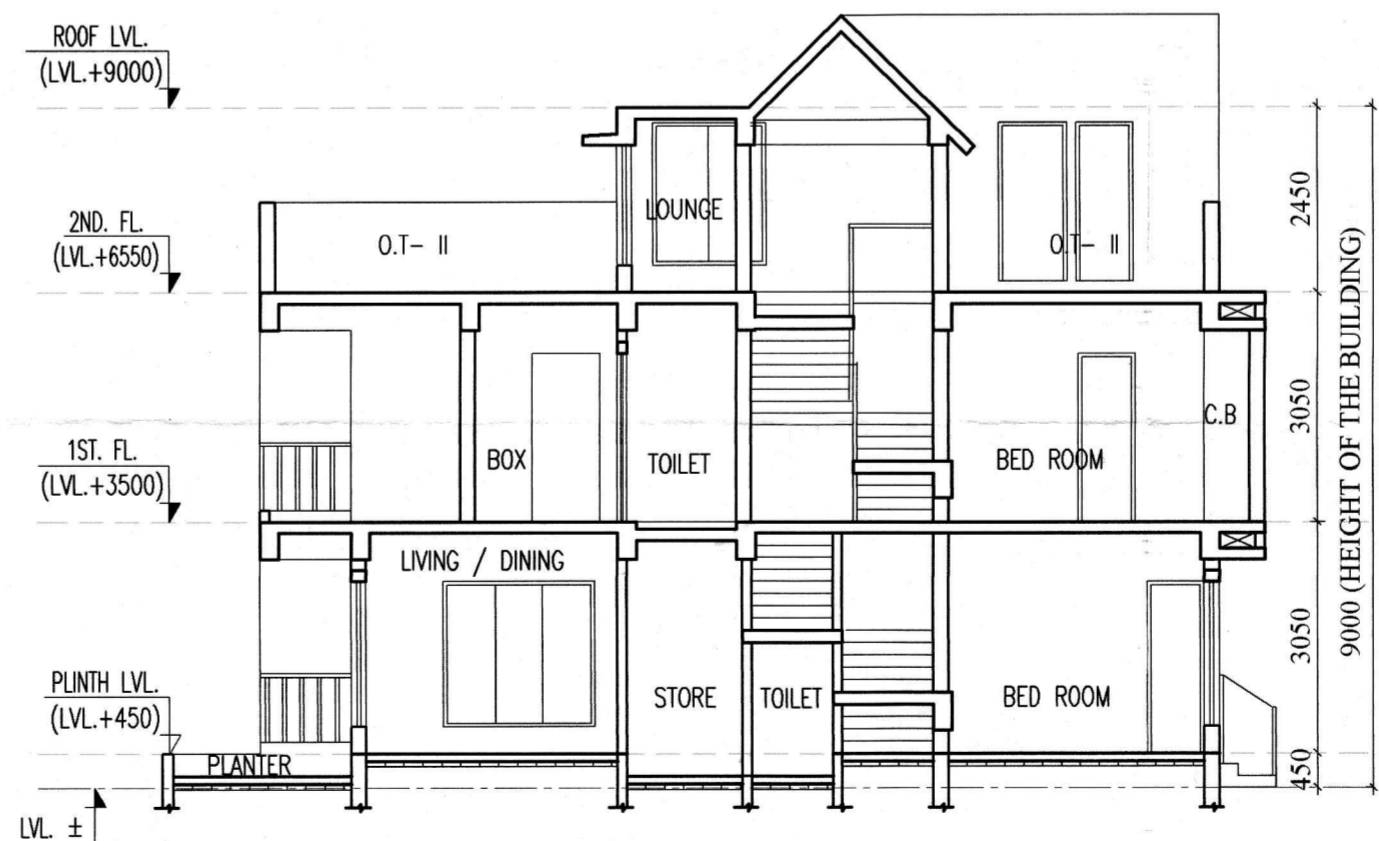
SECOND FLOOR PLAN



ROOF PLAN



FRONT ELEVATION



SECTION AT B-B

For MOONTREE INFRA TECH PVT. LT  
*[Signature]*  
 Director/Authorised Signatory

SIGNATURE OF OWNER

CERTIFICATE OF STRUCTURAL ENGINEER

CERTIFY THAT THE STRUCTURAL DRAWING AND DESIGN OF BOTH THE FOUNDATION AND SUPERSTRUCTURE OF THE BUILDING / BUILDINGS HAS BEEN MADE CONSIDERING THE SOIL TEST REPORT, AS PER THE RULES AND REGULATIONS MADE UNDER THE ACT AND ALSO CONSIDERING ALL POSSIBLE LOADS, SEISMIC LOAD AND THE MOMENTS GENERATED BY THE PROPOSED STRUCTURE AS PER THE BUREAU OF INDIAN STANDARD AND NATIONAL BUILDING CODE OF INDIA AND CERTIFIED THAT IT IS SAFE AND STABLE IN ALL RESPECT AND THESE PROVISIONS SHALL BE ADHERED TO DURING THE CONSTRUCTION.

*[Signature]*  
**SANJIV J. PAREKH**  
 M.E. (STRUCTURAL & CONST. ENGG.),  
 B. C. E., (REG. NO. 418202-4)  
 E. S. E. - 005  
 SOUTH 24 PGS., ZILLA PARISHAD

SIGNATURE OF STRUCTURAL ENGG.  
 CERTIFICATE OF ARCHITECT

*[Signature]*  
**JAY PRAKASH BHARAT KUMAR AGRAWAL**  
 B. Arch., A.I.I.A.,  
 Reg. No. CA / 86 / 10098  
 ARCHITECT SL. NO. - 32(A)

SIGNATURE OF ARCHITECT

TITLE- BUNGALOW TYPE - A2

GROUND FLOOR PLAN, FIRST FLOOR PLAN, SECOND FLOOR PLAN, ROOF PLAN, FRONT ELEVATION AND SECTION AT B-B

PROJECT- PART-D

PLAN SHOWING REVISED PROPOSAL FOR 21 NOS. (G+II) STORIED BUNGALOWS AT DAG NO. R.S. - 1532, 1535, 1500 & L.R. DAG NO. - 1581, 1584, 1546, KHATIAN NO. - 4523, 4471, 4467, 4421, 4418, 4507, 4442, 4463, 4425, 4424, 4509, 4465 HOLDING J.L. NO.- 20, MOUZA-BHASA, DISTRICT- SOUTH 24 PARGANAS, P.S. - BISHNUPUR, P.O.- BISHNUPUR, PIN-743 503, UNDER PASCHIM BISHNUPUR GRAM PANCHAYAT

ARCHITECTS			
AGRAWAL & AGRAWAL		BARODA KOLKATA	
SCALE	DATE	DEALT	CHECKED
1 : 100	04.02.23	SOHAM / PROSENJIT	SOHAM

B  
A2

REVISED SANCTIONED PLAN

File No. 702/833/D/REN/KMDA

*[Signature]*  
23/6/23  
ASSISTANT ENGINEER  
South 24 Pgs. Z.P.

*[Signature]*  
23/6/23  
District Engineer  
South 24 Pgs. Z.P.